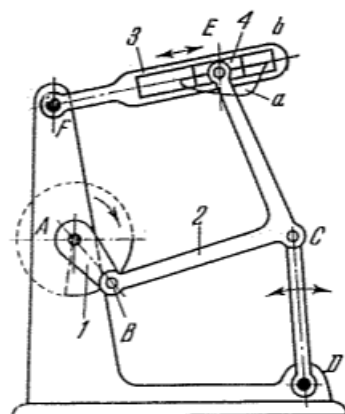


The lengths of the links of four-bar linkage $ABCD$ comply with the conditions: $\overline{AD} = \overline{BE} = 0.68\overline{AB}$, $\overline{DC} = 0.51\overline{AB}$, $\overline{CB} = 0.49\overline{AB}$ and $\overline{CE} = 1.1\overline{AB}$. When link 1 turns about fixed axis A , point E of link 2 describes a path of which portion $q-q$ is approximately a straight line.

429

The lengths of the links comply with the conditions: $\overline{AB} = 1$, $\overline{BC} = 3.1$, $\overline{CD} = 2.6$, $\overline{CE} = 3.0$, $\overline{AF} = 2.3$, $\overline{AD} = 4.5$, $\overline{FD} = 6.3$ and $\overline{BE} = 4.0$. Point



. $A_0A=300$, $A_0B_0=210$, $B_0B=480$, $BC=780$

